

Lightline Lenses

Cylindrical and apertured lenses for 1" to 16" lightlines.



Cylindrical Lens, A08582



3" (76 mm) Lightline with A08582 Cylindrical Lens

Product and Performance Characteristics

- Cylindrical and apertured lenses are available for most lightline models, most are Made-to-Order but they can be custom made for all models
- Cylindrical lens attachments are designed to collect light exiting the lightline to increase intensity up to a factor of 10
- Apertured lens attachments are designed to project a more collimated line of light, not to increase light intensity
- Lenses are adjustable and easily attach to SCHOTT lightlines
- Custom length and configurations are available

Lightline and Polarizer Kits 1", 2" & 3" Lightlines

Part No.	Part No. for Lens	
	Cylindrical	Apertured
A08579	* A08571	Custom
A08580	* A08582	Custom
A08583	* A08572	Custom
A08584	A08572	Custom
A08588	A08571	Custom
A08589	A08572	Custom

* Made-to-order products

Lightline and Polarizer Kits 45 Degree Lightline

Part No.	Part No. for Lens	
	Cylindrical	Apertured
Custom	Custom	Custom

Lightline and Polarizer Kits 3" to 16" Continuous Lightlines

Part No.	Part No. for Lens	
	Cylindrical	Apertured
A08903	A08823	Custom
A08904	A08824	Custom
A08905	A08825	Custom
A08906	A08826	Custom
A08907	A08827	Custom
A08908	A08828	Custom
A08909	A08829	Custom
A08910	A08830	Custom
A08911	A08831	Custom
A08912	A08832	Custom
A08913	A08833	Custom
A08914	A08834	Custom
A08915	A08835	Custom
A08916	A08836	Custom
A08975	A08826	A08806

Lightline and Polarizer Kits 24" to 40" Continuous Lightlines

Part No.	Part No. for Lens	
	Cylindrical	Apertured
A08940	A08860	Custom
A08964	A08864	Custom

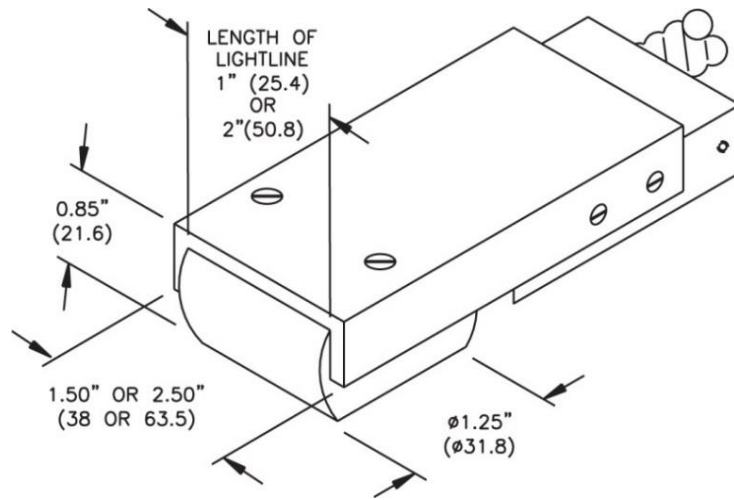
Version 01.2017

Specifications Lightline Lenses

Dimensions in () are in mm

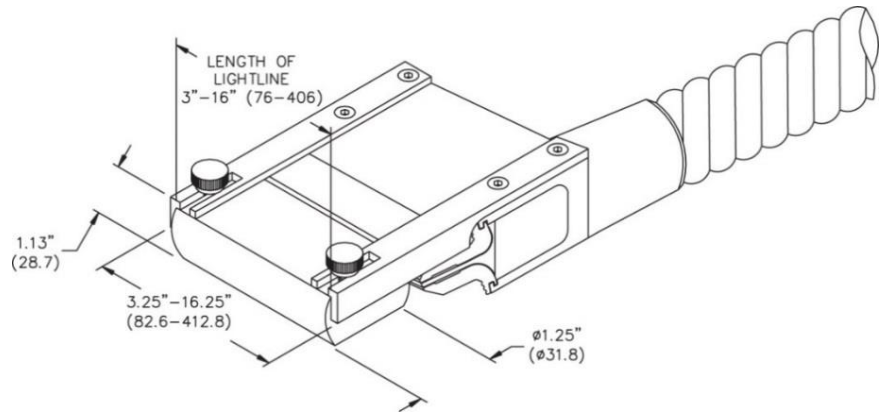
A08571

Cylindrical and Apertured Lenses



A08824, A08826, A08832

Cylindrical Lenses



A08806

Apertured Lenses

